

TECHNICAL INFORMATION

Description

The Sure Grip Switched Rocker Modules are available in four configurations with several different switch options. These modules are designed to provide an ergonomic solution within a small footprint. Each Rocker Module is tested before final packaging, resulting in consistent reliable control.

Our Rockers are made of wear resistant plastic polymer providing a consistent smooth operating feel while optimizing the service life of the part. Compact mounting allows various installation options both in Sure Grip handles and other applications.



Features

- ▶ Compact device with dual switched outputs
- ▶ Sealed up to IP67 **
- ▶ Extended travel range +/- 18°
- ▶ Long operating life: > 4 million cycles
- ▶ Can be ordered individually or installed into Sure Grip handles

Part Numbers

▶ RM2-*-3MO
Momentary 3 position

▶ RM2-*-2MA
Maintained 2 position

▶ RM2-*-3MA
Maintained 3 position

▶ RM2-*-3MA-MO
Maintained / Momentary 3 position

* - Switch Options

S1 - Unsealed Standard Switch

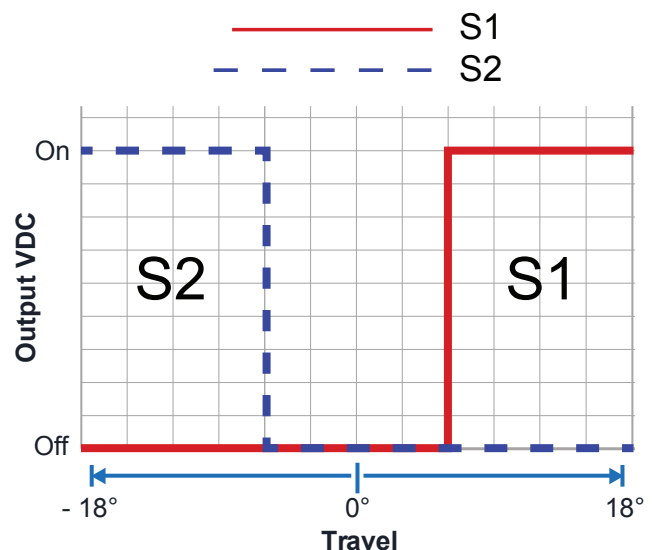
S1S - Sealed Switch

S1G - Unsealed Gold Contact Switch

S1SG - Sealed Gold Switch

** Sealed switch option only IP67 available with

Switch Activation Characteristics



TECHNICAL INFORMATION

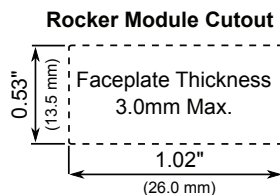
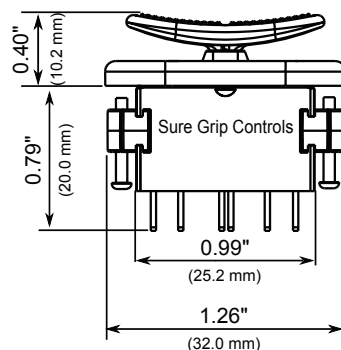
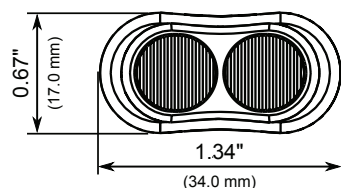
SWITCH SPECIFICATIONS

Switch Options:	Load	Voltage	Operating Temp
Unsealed Standard - IP40	4 A	30 Vdc	-25°C to +85°C
Sealed Switch - IP67	3A	30 Vdc	-40°C to +85°C
Unsealed Gold contact - IP40	100 mA	30 Vdc	-25°C to +85°C
Sealed Gold Switch - IP67	100 mA	30 Vdc	-40°C to +85°C

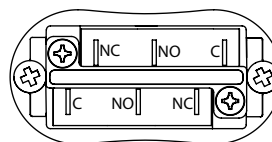
MECHANICAL SPECIFICATIONS

Travel	+/- 18°
Life Expectancy	>4 million cycles
Functions	Maintained / Momentary / Maintained, Momentary

Dimensions



Switched Rocker Module Pin-out



Rocker Module Typical Wiring

