

JSC CAN Series Joystick

The all new JSC joystick is designed and manufactured for the rugged off-road market. Utilizing contactless Hall sensor technology, the JSC sets the standard in price/performance for J1939 joysticks.

The JSC offers excellent sealing, minimum below the panel depth, and mounting compatibility with our popular JSM joystick.

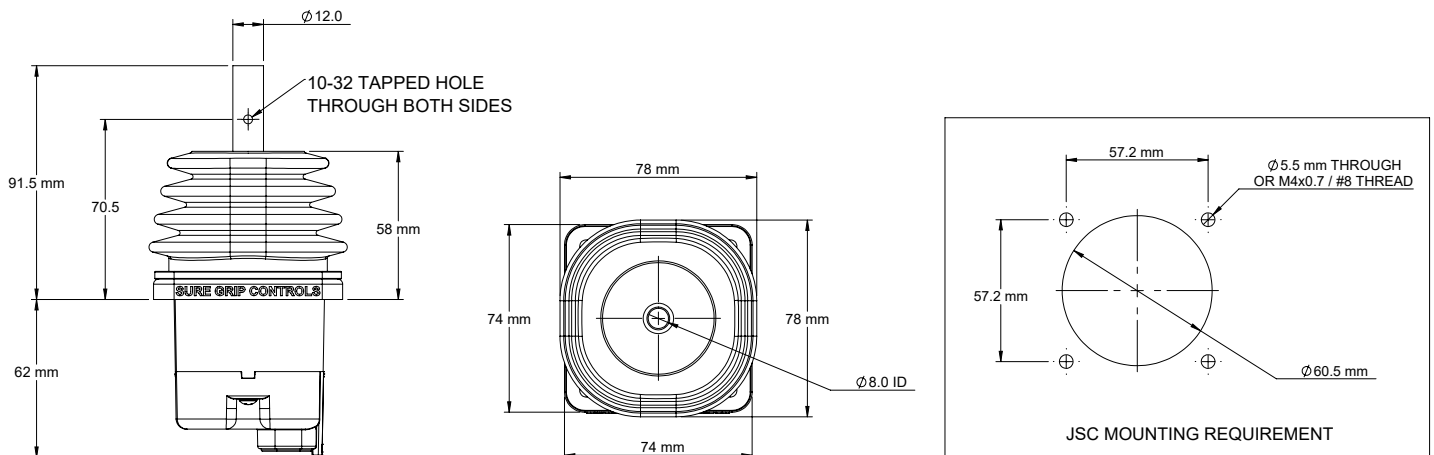
The JSC is designed to operate with all our existing Handles, providing the ultimate in flexibility.

Features:

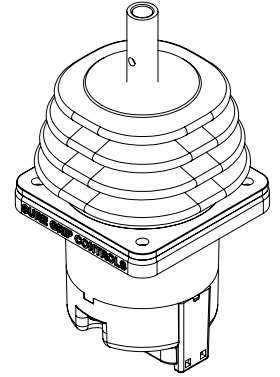
- Long life – tested to 5 million cycles (20 million operations)
- IP69K/IP67 sealing
- Integrated connector
- Different operational spring forces
- High strength Chromoly shaft
- Supports all Sure Grip handles



Dimensions



Preliminary Specifications



Electrical Specifications

Supply Voltage	10 – 36 VDC
Supply Current	30 mA
Source Address	0x00 to 0xFD

Mechanical Specifications

Travel	± 20°
Life Expectancy	5 million cycles (20 million operations)
Operating Force	1.8 to 2.8 lbs.
Side Loading	110Nm
Gate	Square

Environmental Specifications

Operating Temperature	-40°C to +85°C
Sealing	IP69K/IP67 (Handle dependent)
Vibration	10Hz to 2KHz 1.26Grms (IEC 60068-2-4)
Shock	25G for 11mS all directions (IEC 60068-2-27)
EMC Immunity	125V/m (ISO 13766)
EMC Emissions	CISPR 25 Class 2
ESD Immunity	ISO 10605: 2008 (+/- 8kV Operational, +/- 15kV Handling)

Specifications are subject to change without notice