

CANopen / SAE J1939 JSC Series Joystick Base

The award winning JSC Series joystick base is the next evolution of Sure Grip joysticks. Using the industry-proven JSM Joystick base as a foundation, the JSC sets the new standard for high-performance industrial joystick bases.

Designed for high volume applications, this configurable control can be paired with the perfect Sure Grip handle for your needs. Smart features like the integrated Deutsch connector make installation quick and easy. Tested to the most extreme industry standards, the JSC is built to last.

Configurable to your needs

- Available in CANopen or SAE J1939 outputs
- Configurable faceplates
- Several operating forces available

Extreme durability and long life

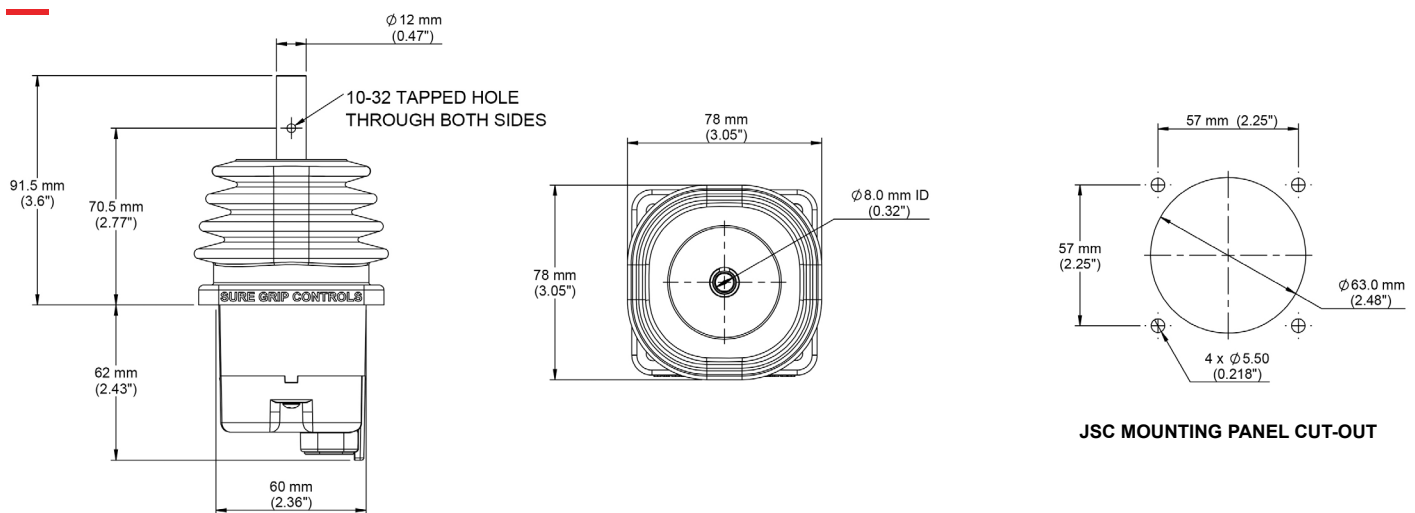
- IP69K below panel and IP-67 above panel sealing
- Tested to over 20 million operations
- Chemical, salt and UV resistant
- Static loading up to 110 Nm

Simple installation

- Integrated Deutsch DTM04-6P connector



Dimensions*



*Please see handle technical specifications sheets for handle dimensions.



Specifications

Electrical Specifications

Supply Voltage	10-36 VDC
Supply Current	30 mA

Mechanical Specifications

Travel	± 20°
Life Expectancy	20 million operations
Operating Force	Standard spring: 1.1-1.7 lbs Medium spring: 1.8-2.8 lbs
Maximum Static Load	110 Nm

Environmental Specifications

Operating Temperature	-40°C to +85°C
Sealing	IP69K/IP67 (handle dependent)
Vibration	10 Hz to 2 KHz 1.26 Grms (IEC 60068-2-4)
Shock	25 G for 11 ms all directions (IEC 60068-2-27)
EMC Immunity	125 V/m (ISO 13766)
EMC Emissions	CISPR 25 Class 2
ESD Immunity	ISO 10605: 2008 (+/- 8 kV operational, +/- 15 kV handling)

Specifications are subject to change without notice

Product Ordering Guide

Instructions

Configure your part number by selecting from the options below. Next, configure your handle functions by clicking on the desired handle type in Box 8 to open the appropriate handle ordering guide.

Once you have your joystick and handle configured part numbers, or need additional assistance to find exactly what you need, please contact your Sure Grip representative.

CONTACT US

Example:



Your Configured Part Number:

JSC - 2 - - NN - N - NNNN - - - N - DE - - - -

1. Joystick Model
JSC

2. Axis Options
2 - Two Axis

3. Output Options
B - SAE J1939
C - CANopen

4. Output Direction
NN - Standard

5. Gate Options
N - None

6. Features
NNNN - No Options

7. Spring Options
L - Light Force (1.1-1.7 lbs)
M - Medium Force (1.8-2.8 lbs)

8. Handle Options
SU - SU Handle
CU - CU Handle
LU - LU Handle
LE - LE Handle
JE - JE Handle

9. Wire Length (Inches)
N - None (Integrated Connector)

10. Joystick Connector
DE - Deutsch DTM04-6P

11. Baud Rate (Kbps)
250 - 250Kbps
500 - 500Kbps

12. Identification
Source Address (SAE J1939)
Range: 20d - 250d, Default 51d
Node ID (CANopen)
Range: 1d - 127d, Default 17d

13. Transmission (mS)
Message Rate (SAE J1939)
Range: 20 to 80, Default 80mS
PDO Transmission (CANopen)
20 - 20mS Default

14. Weather Sealing
U - Joystick Unsealed
S - Joystick Sealed

Comment Section

Specifications are subject to change without notice