

JSA Single Axis Joystick

The all new JSA single axis joystick with our PE handle is the ideal control solution for the scissor lift market. Our unique design (patent pending) provides great feel, durability, and the high quality you expect from Sure Grip Controls. Utilizing contactless Hall sensor technology, the JSA sets the standard in reliable control.

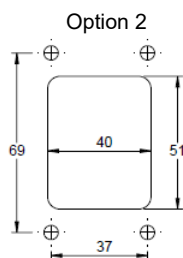
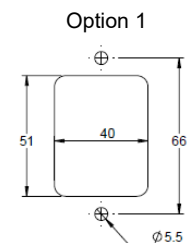
The JSA offers excellent sealing, minimum below the panel depth, and mounting compatibility with virtually all other single axis joysticks.

Features:

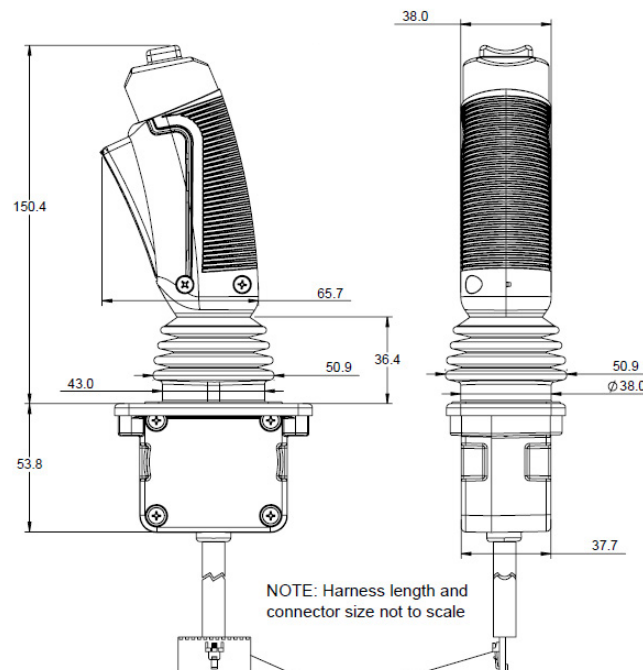
- Long life – tested to 5 million cycles (20 million operations)
- IP69K sealing
- Multiple mounting options
- Excellent Resolution: $\pm 30^\circ$ travel
- 100 V/m EMC Immunity

Dimensions

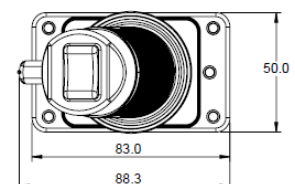
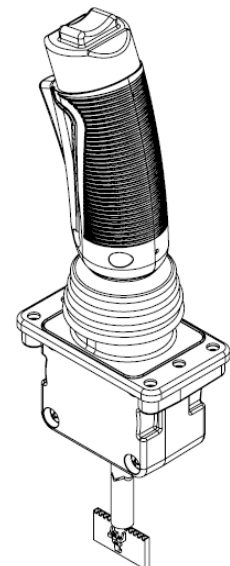
Mounting Specifications

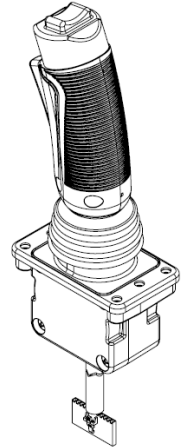


Maximum panel thickness: 3.18mm (1/8")
Screw type: M5x0.8 Button Head



Molex 12 Pin FFC Connector
 PN: 50579412





Preliminary Specifications

Electrical Specifications

Supply Voltage	5 VDC
Supply Current	15 mA
Output	Ratiometric 0.5 VDC to 4.5 VDC

Mechanical Specifications

Travel	± 30°
Life Expectancy	5 million cycles (20 million operations)
Operating Force	Breakout: 0.75 Nm to 1.5 Nm Operating: 1.2 Nm to 1.8 Nm
Side Loading	110Nm

Environmental Specifications

Operating Temperature	-40°C to +85°C
Sealing	IP69K
Vibration	IEC 60068-2-64 and IEC60068-2-6
Shock	IEC 60068-2-27
EMC Immunity	100 V/m
EMC Emissions	CISPR 25 Class 2
ESD Immunity	ISO 10605: 2008 (+/- 8kV Operational, +/- 15kV Handling)

Specifications are subject to change without notice