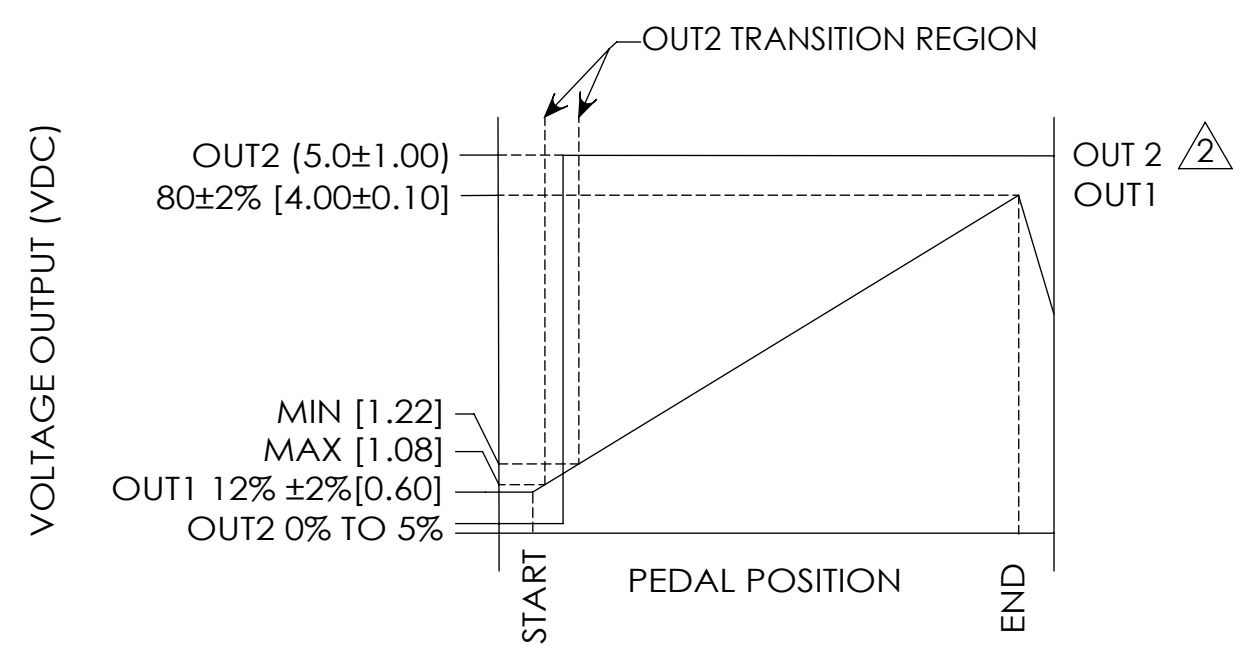
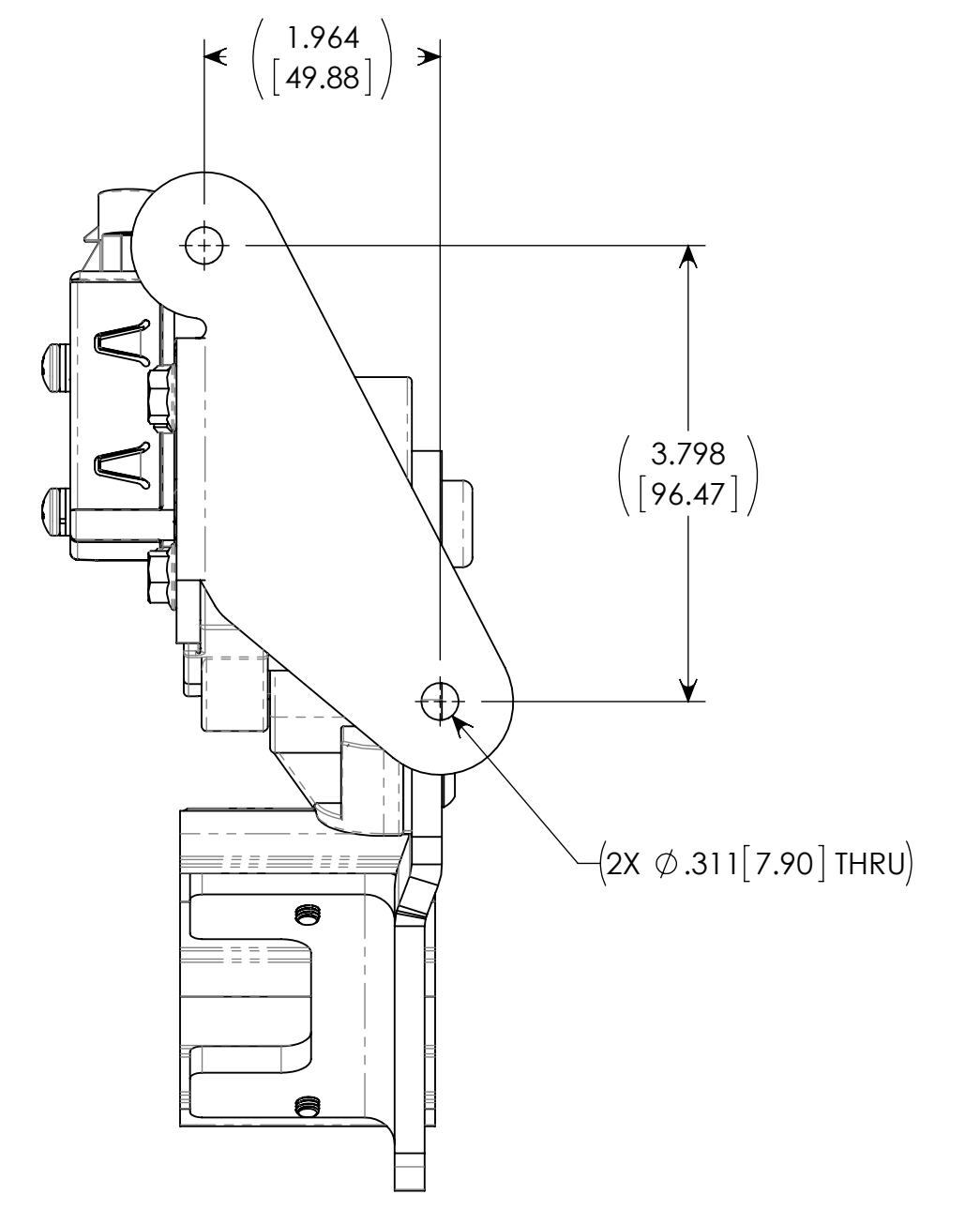
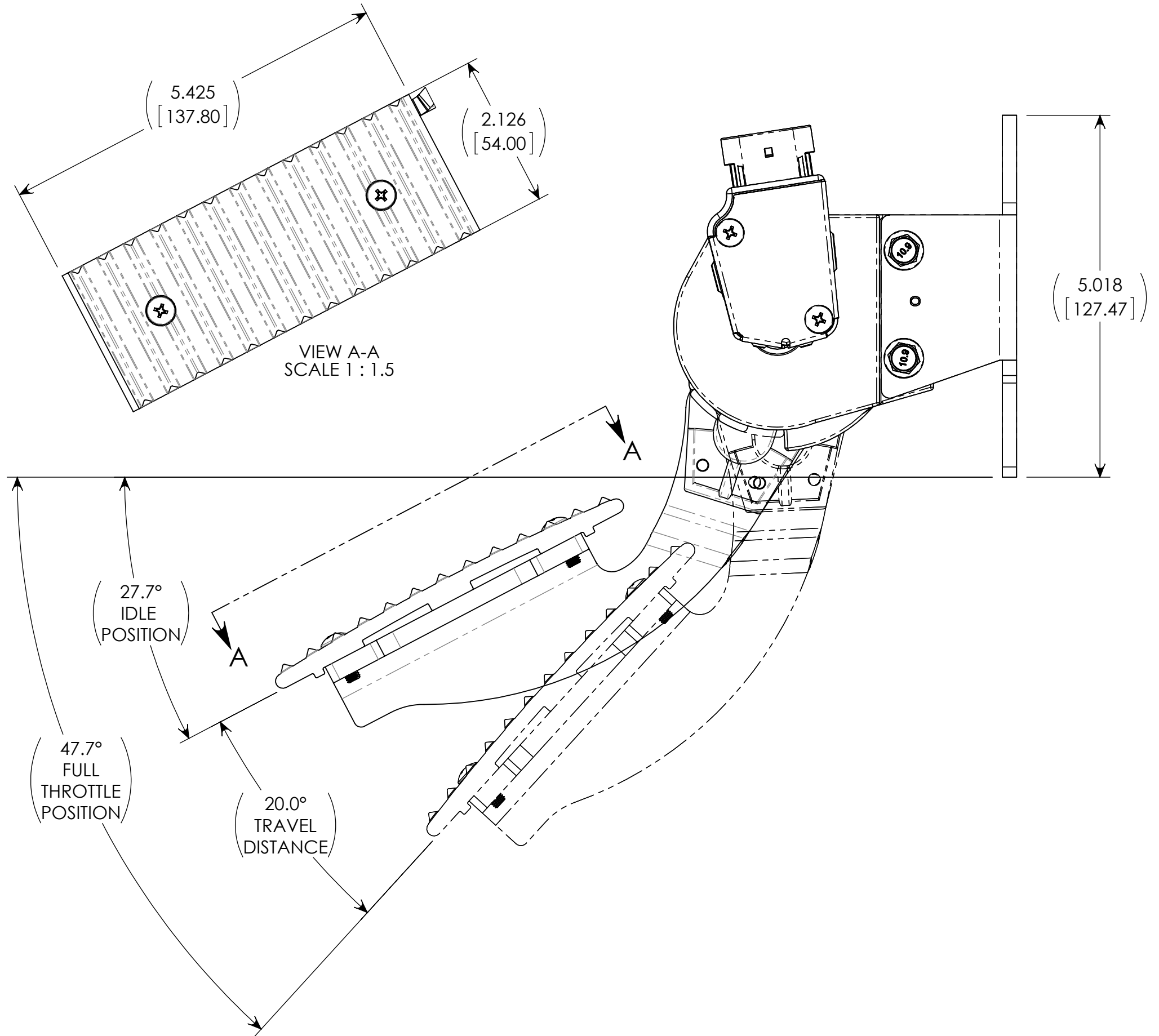
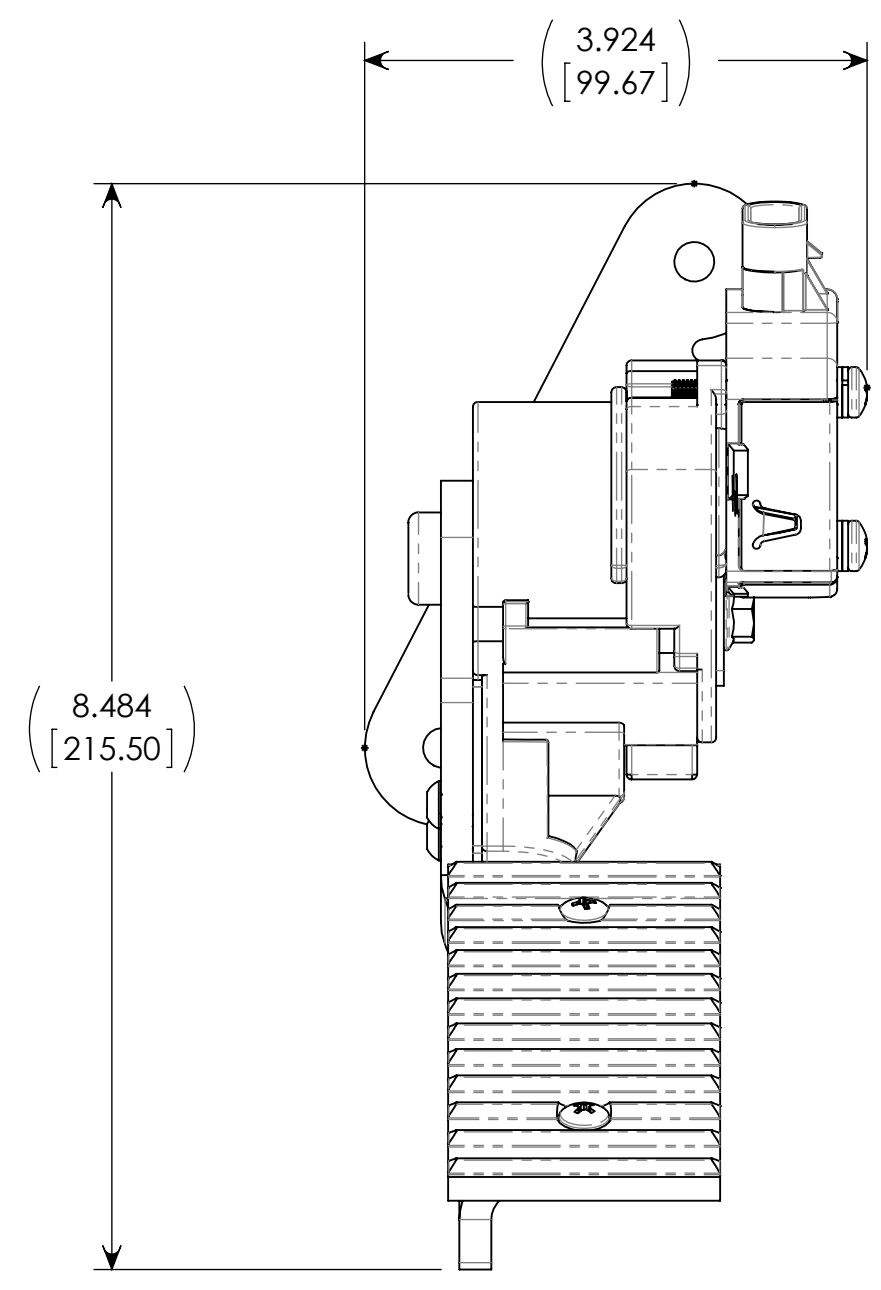
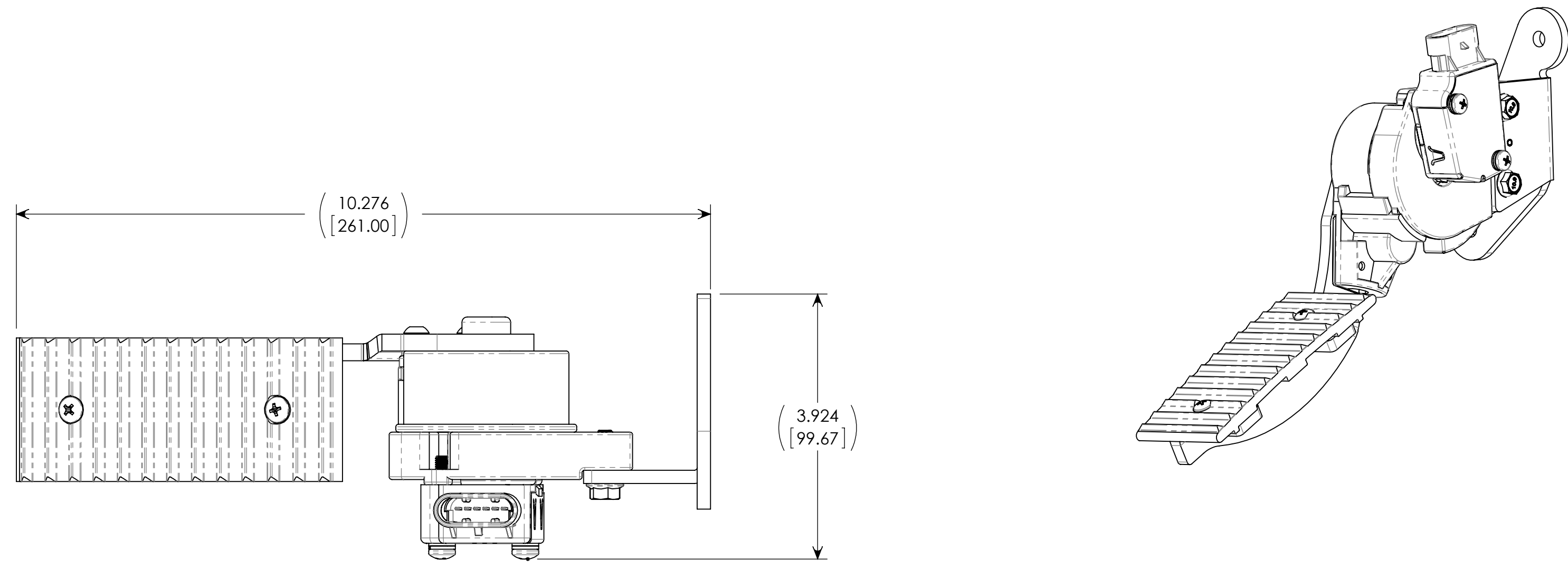


**SENSOR SPECIFICATIONS**

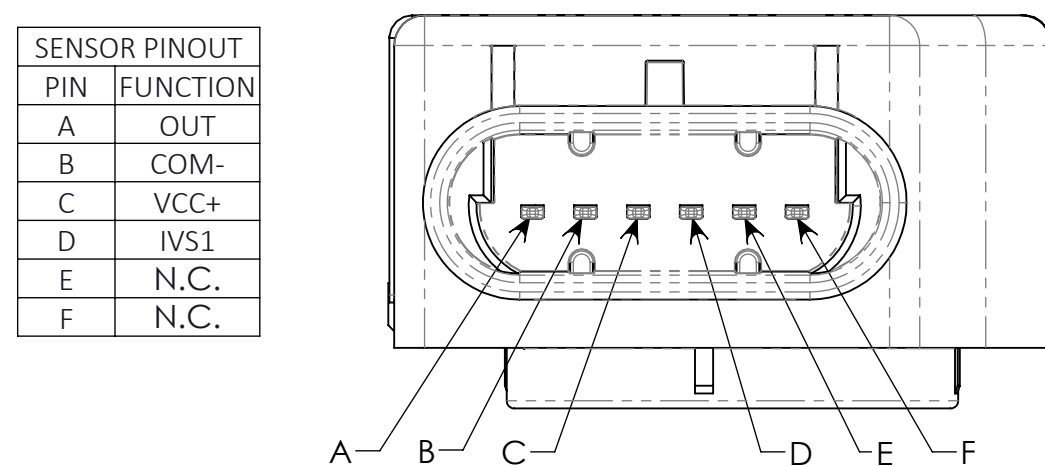
- MECHANICAL SPECIFICATIONS**
  - TRAVEL (°): 103.2°
  - TORQUE (NM): 0.01 TO .03
  - LIFE (CYCLES): >10,000,000
  - WEIGHT (G): 76
- ELECTRICAL SPECIFICATIONS**
  - SENSOR TYPE: HALL EFFECT
  - OUTPUT TYPE: DUAL ANALOG WITH SAME POWER SOURCE CONNECTED INTERNALLY IN SENSOR
  - OUT2 VOLTAGE DEPENDS ON OUT1:
    - WHEN OUT1 < 1.08V
      - OUT2 < 1.2V
    - WHEN OUT1 > 1.22V:
      - OUT2 > 4.0V
  - OUT2 VOLTAGE MAY BE INTERMEDIATE WHEN OUT1 IS BETWEEN 1.08V AND 1.22V
  - WORKING ANALOG VOLTAGE RANGE (VDC): 5
  - MAXIMUM CURRENT: (MA) 10
  - LINEARITY: ±1%
  - ELECTRICAL OUTPUT (VDC): PROGRAMABLE
- ENVIRONMENTAL SPECIFICATIONS**
  - PROTECTION CLASS: IP67
  - WORKING TEMPERATURE (°C): -40 TO 85

**PEDAL SPECIFICATIONS**

- MECHANICAL SPECIFICATIONS**
  - TRAVEL (°): 20±1
  - APPROXIMATE WEIGHT: 3 LBS (1560 G)
  - LIFE (CYCLES): 5,000,000
  - MAXIMUM STATIC LOAD (N): 1520
- STANDARDS MET**
  - SAE J1843
  - FMVSS 124
- MATERIALS**
  - TREADLE: CAST ALUMINUM
  - PEDAL BASE: CAST ALUMINUM
  - PEDAL ARM: A572 GRADE 50 STEEL
  - SENSOR BODY: NYLON COLORED BLACK
  - SPRINGS: 304 STAINLESS STEEL
  - HARDWARE: STEEL PLATED WITH ZINC
  - WIRE: AEX OR AVX 0.5 mm<sup>2</sup>
  - OTHER PLASTIC PARTS: NYLON
  - OTHER METAL PARTS: STEEL PLATED WITH ZINC



OUTPUT CHARACTERISTICS  
FIGURE 1



MATING CONNECTOR:  
DELPHI #12162261 HOUSING  
DELPHI #12103881 PINS  
DELPHI #12048086 SEAL

INITIALS	DATE	UNLESS OTHERWISE SPECIFIED	INDUSTRIAL ELECTRONIC CONTROLS ROCKFORD, IL 61109
DRAWN BY	WSH	DIMENSIONS ARE IN ENGLISH IN DUAL DIM [ ] ARE IN METRIC mm	
CHECKED BY	JDK	ANGULAR MACH ----- ±1°	TITLE SUSPENDED PEDAL
MATERIAL PER BOM		ANGULAR BEND ----- ±1°	
OTHER		ONE PLACE DECIMAL --- ±0.020	SIZE D
		TWO PLACE DECIMAL --- ±0.010	
		THREE PLACE DECIMAL --- ±0.005	DRAWING # 10458-005-H0000-S1280-01
		INTERPRET GEOMETRIC TOLERANCES PER ASME Y14.5	
FINISH		DO NOT SCALE DRAWING	REVISION A
REV	CIP	SCALE: 1:1 SHEET 1 OF 1	