

SPECIFICATIONS

1. ENVIRONMENT SPECIFICATIONS

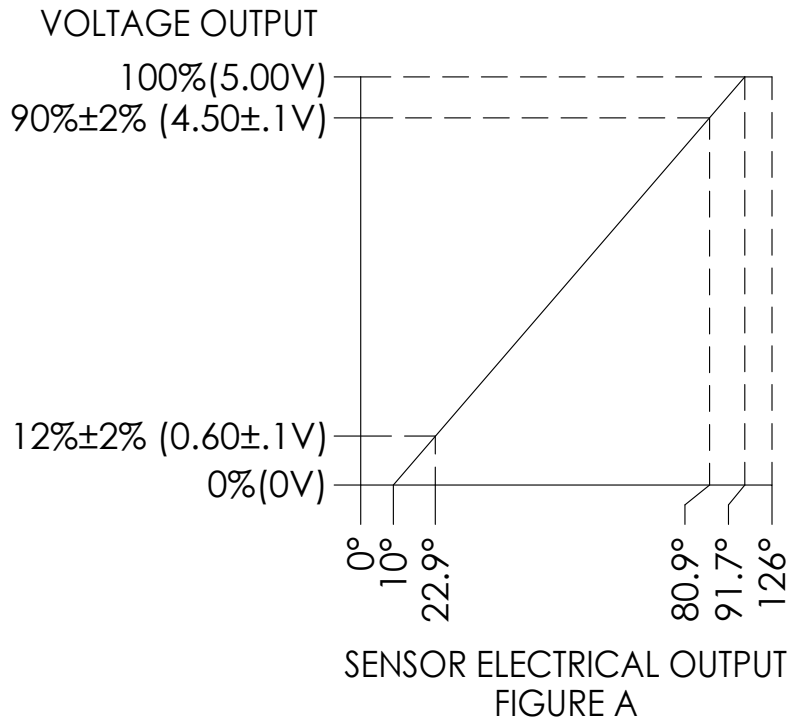
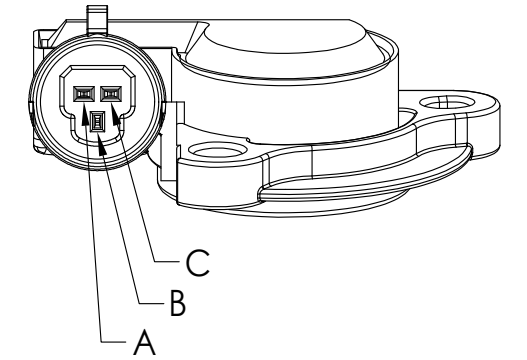
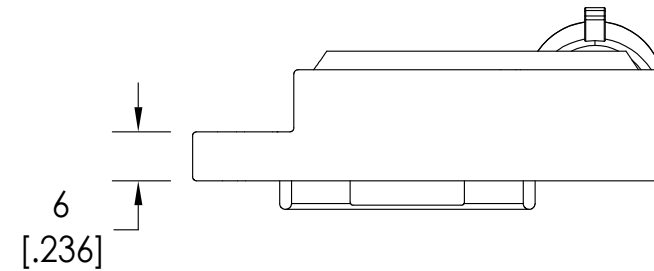
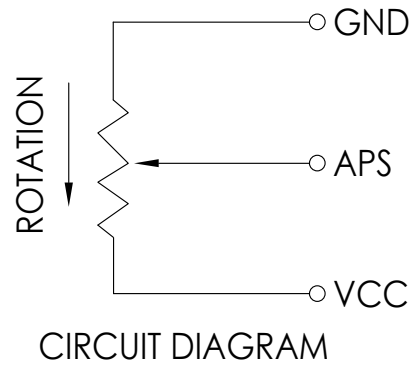
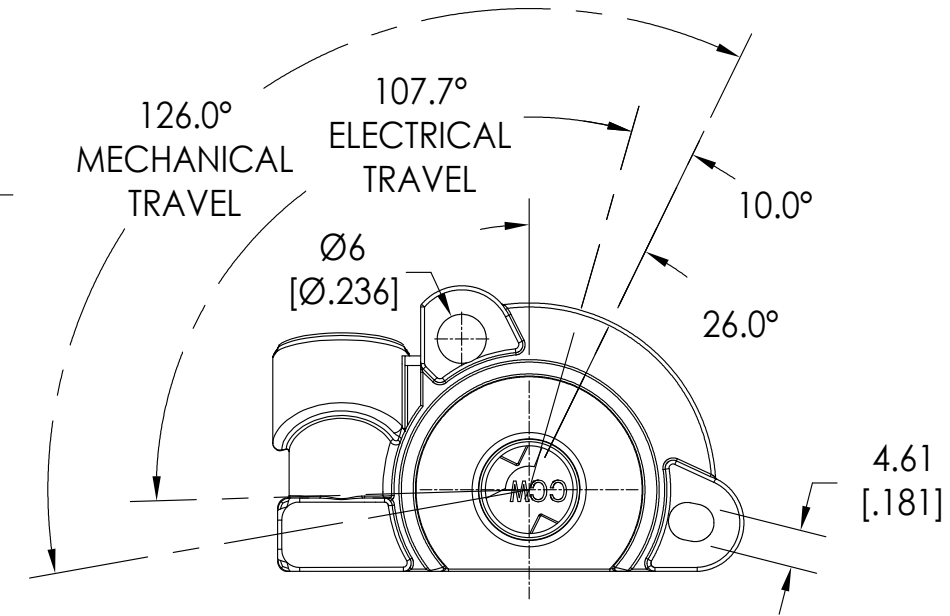
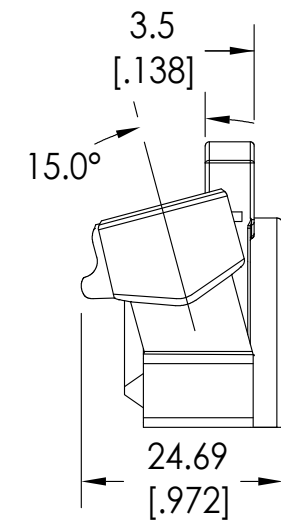
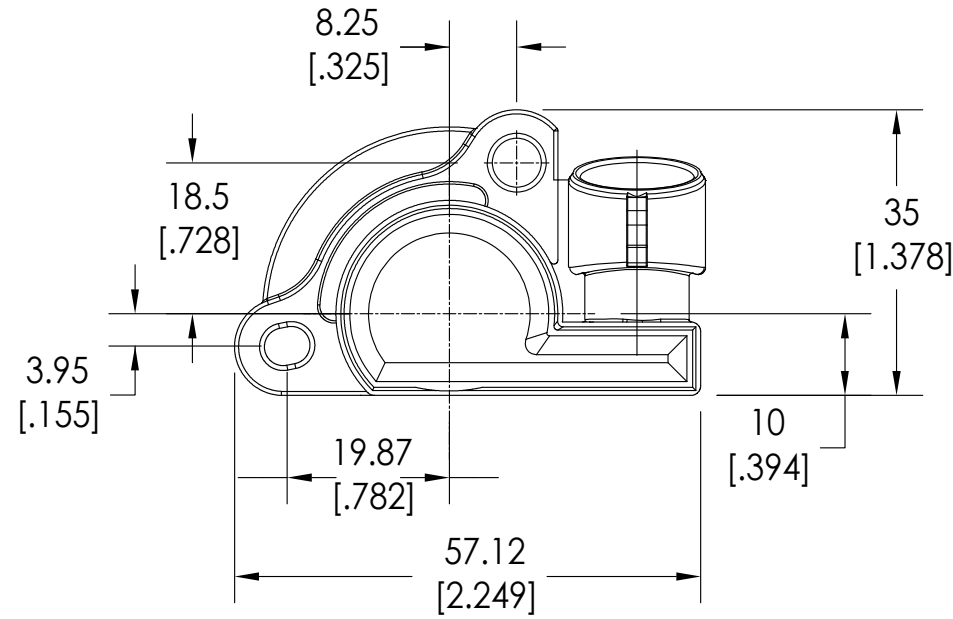
- WORKING TEMPERATURE: -40°C TO 125°C
- PROTECTION CLASS: IP64

2. ELECTRICAL SPECIFICATIONS

- WORKING VOLTAGE: 5.0 - 16.0VDC
- TOTAL RESISTANCE: $6k\Omega \pm 20\%$
- INSULATING RESISTANCE: $\geq 10M\Omega$
- ELECTRICAL ANGLE: $107.7^\circ \pm 1^\circ$
- LINEARITY: $\pm 2\%$
- OUTPUT SMOOTHNESS: $< 0.5\%$
- REPEATABILITY: $\leq 0.1\%$
- WIPER WORKING CURRENT: $\leq 1\mu A$
- MAXIMUM WIPER WORKING CURRENT: 10mA
- ELECTRICAL OUTPUT: SEE FIGURE 'A'

3. MECHANICAL SPECIFICATIONS

- TRAVEL: $126^\circ \pm 2^\circ$
- TORQUE: 0.003 TO 0.13 Nm
- LIFE: 3,000,000 CYCLES
- WEIGHT: $18.5g \pm 1.5g$



| PIN | FUNCTION |
|-----|----------|
| A | VCC |
| B | APS |
| C | GND |

UNITS IN millimeter [inch]

PART #

5113