

**SPECIFICATIONS**

**1. ENVIRONMENT SPECIFICATIONS**

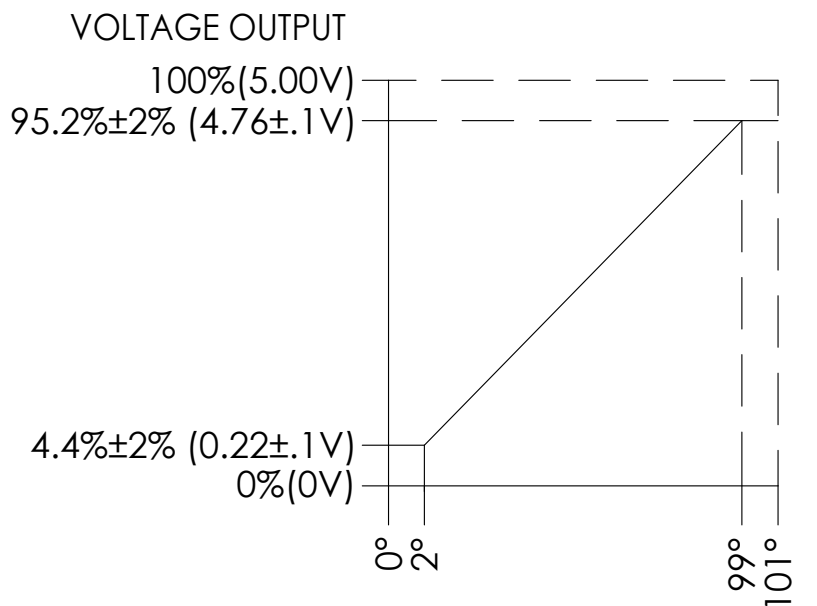
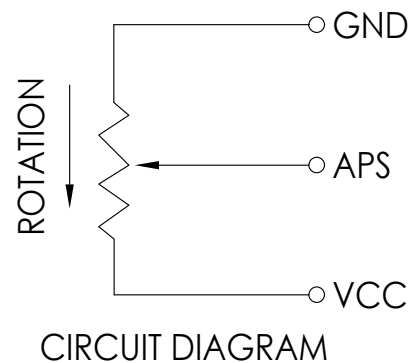
- WORKING TEMPERATURE: -40°C TO 135°C
- PROTECTION CLASS: IP64

**2. ELECTRICAL SPECIFICATIONS**

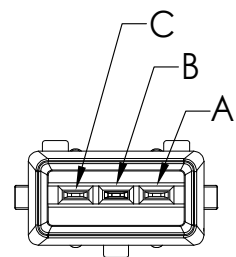
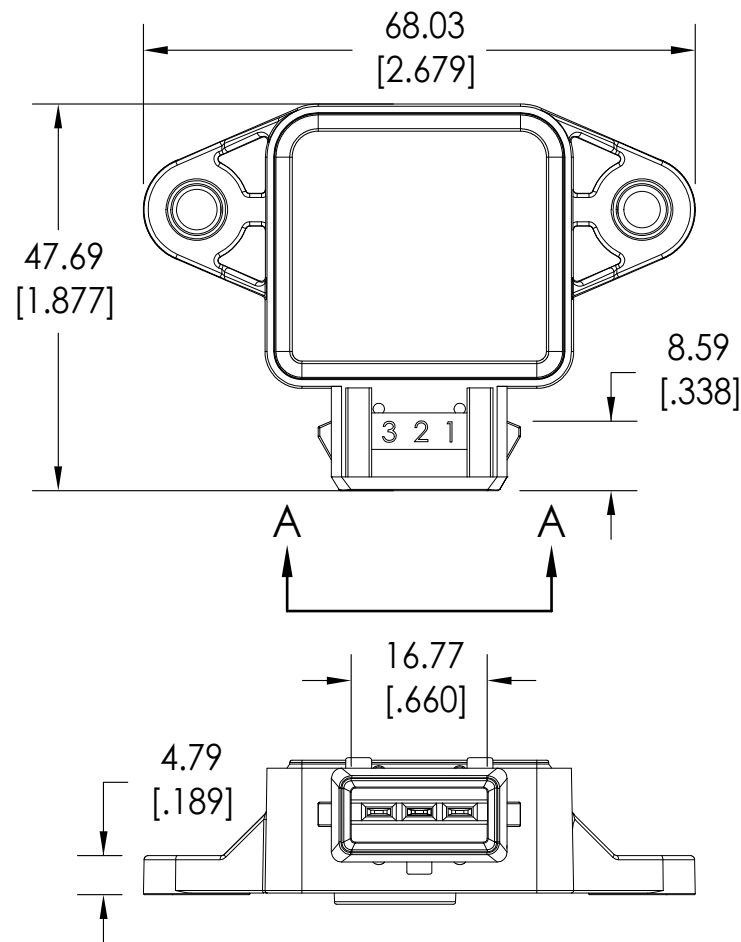
- WORKING VOLTAGE: 5.0 - 16.0VDC
- TOTAL RESISTANCE: 2KΩ ±20%
- INSULATING RESISTANCE: ≥10MΩ
- ELECTRICAL ANGLE: 97°±1°
- LINEARITY: ±2%
- OUTPUT SMOOTHNESS: <0.5%
- REPEATABILITY: ≤0.1%
- WIPER WORKING CURRENT: ≤1μA
- MAXIMUM WIPER WORKING CURRENT: 10mA
- ELECTRICAL OUTPUT: SEE FIGURE 'A'

**3. MECHANICAL SPECIFICATIONS**

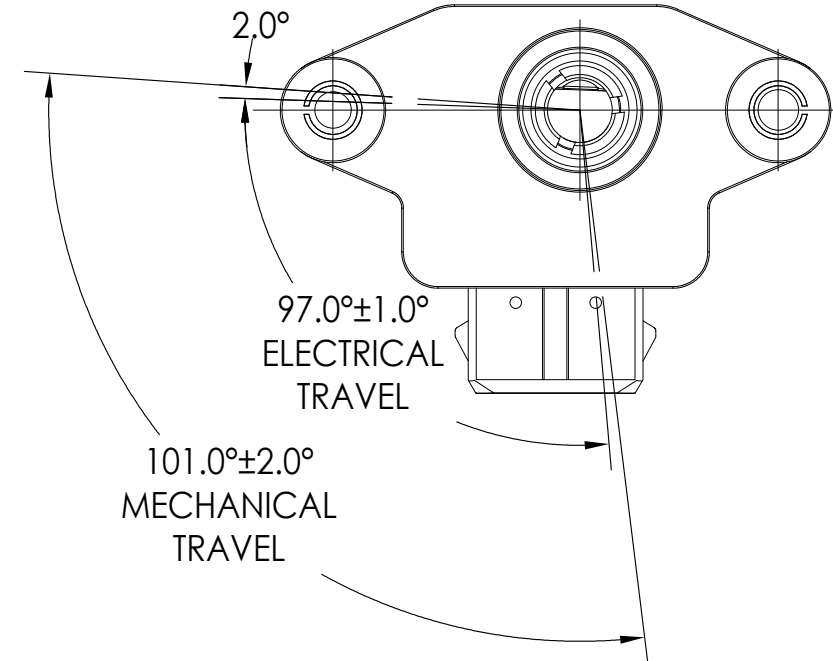
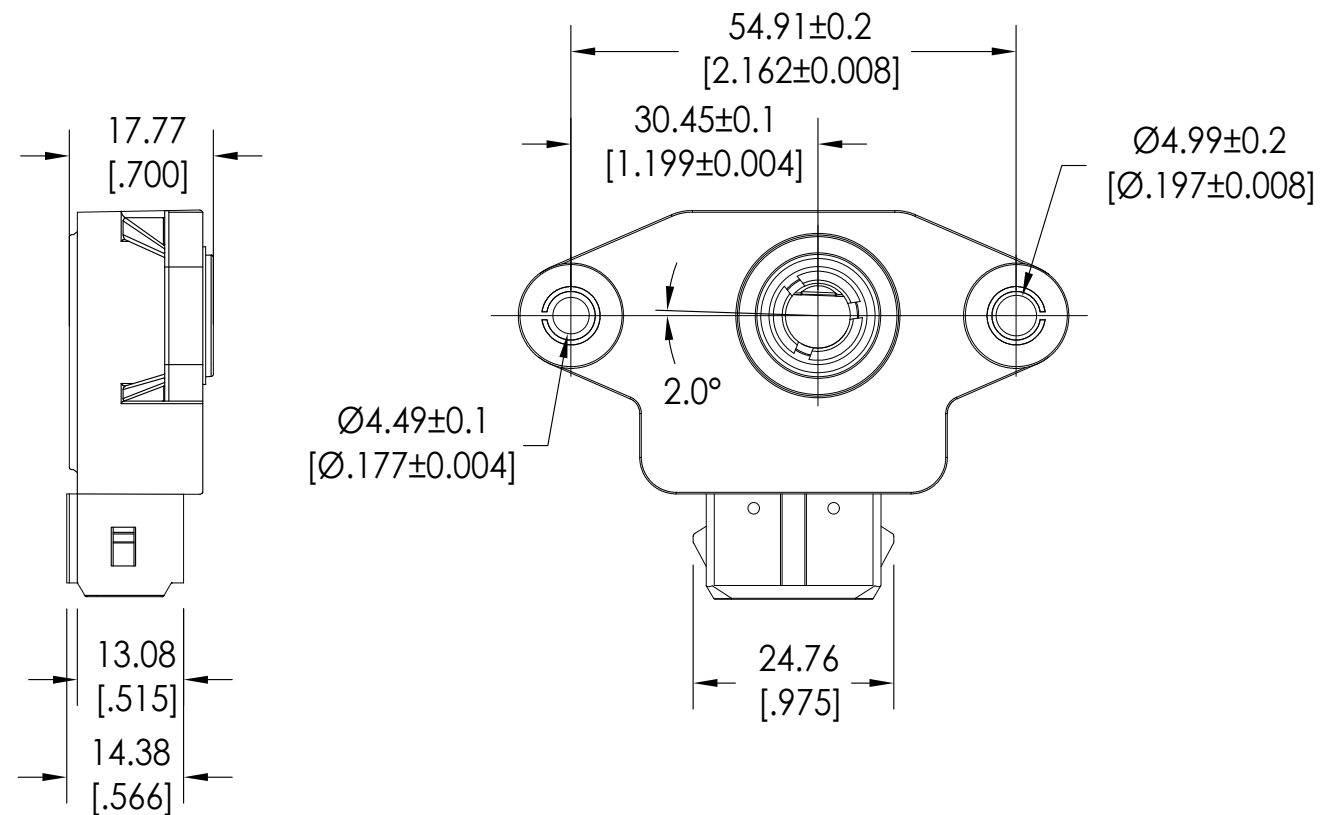
- TRAVEL: 101°±2°
- LIFE: 3,000,000 CYCLES
- WEIGHT: 25g±1.5g



SENSOR ELECTRICAL OUTPUT  
FIGURE A



PIN	FUNCTION
A	GND
B	VCC
C	APS



UNITS IN millimeter [inch]

PART #  
5119