

**SPECIFICATIONS**

**1. ENVIRONMENT SPECIFICATIONS**

- WORKING TEMPERATURE: -40°C TO 105°C
- PROTECTION CLASS: IP65

**2. ELECTRICAL SPECIFICATIONS**

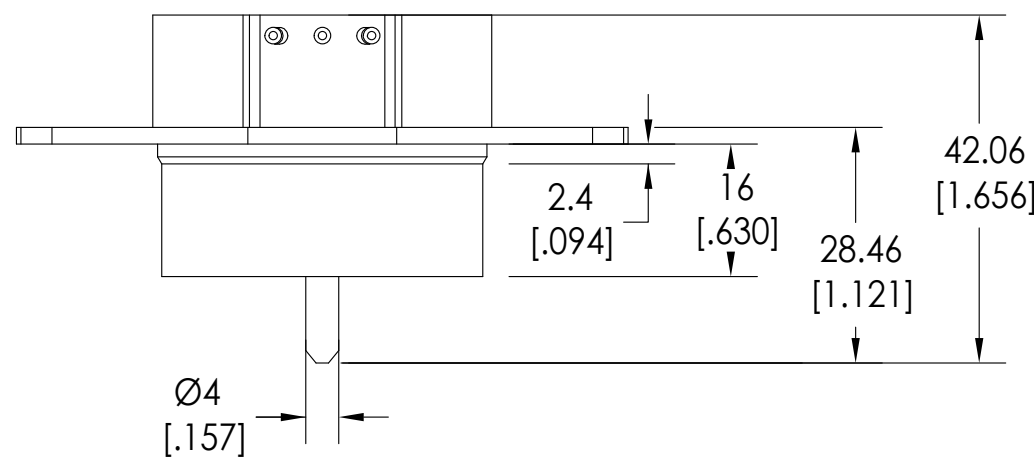
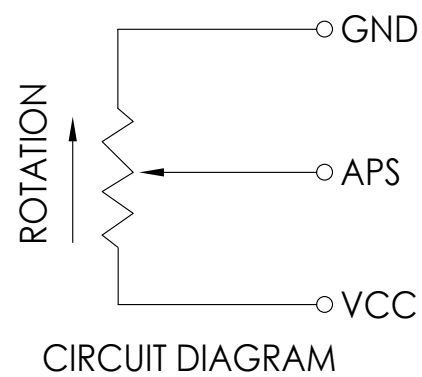
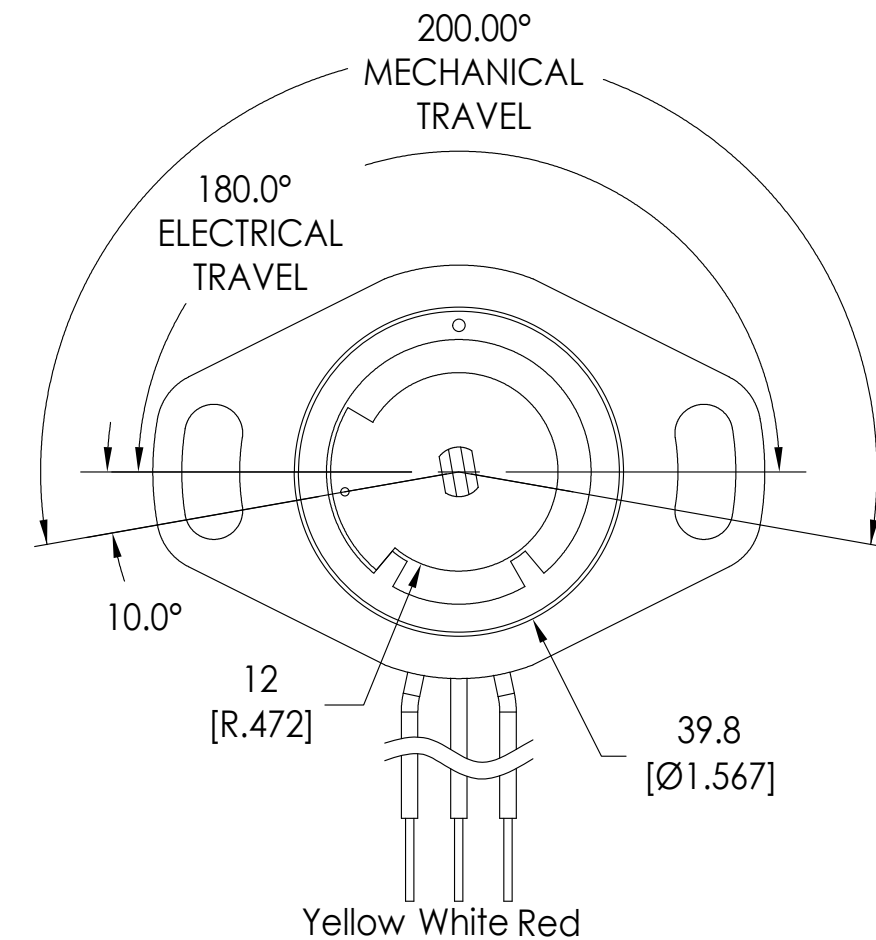
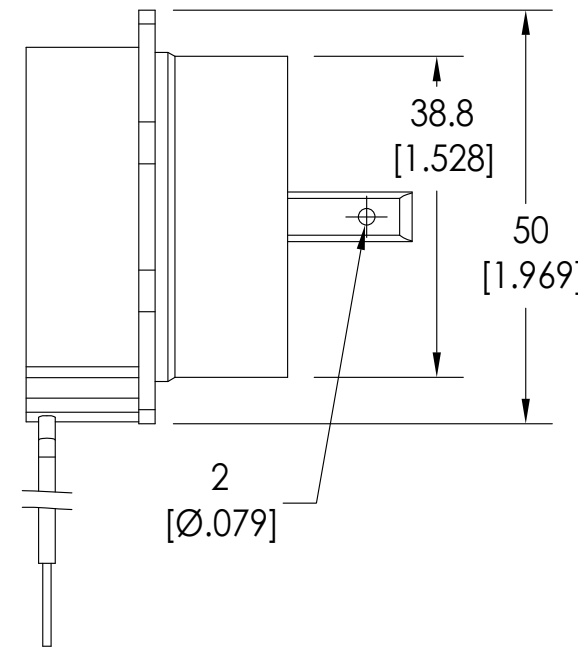
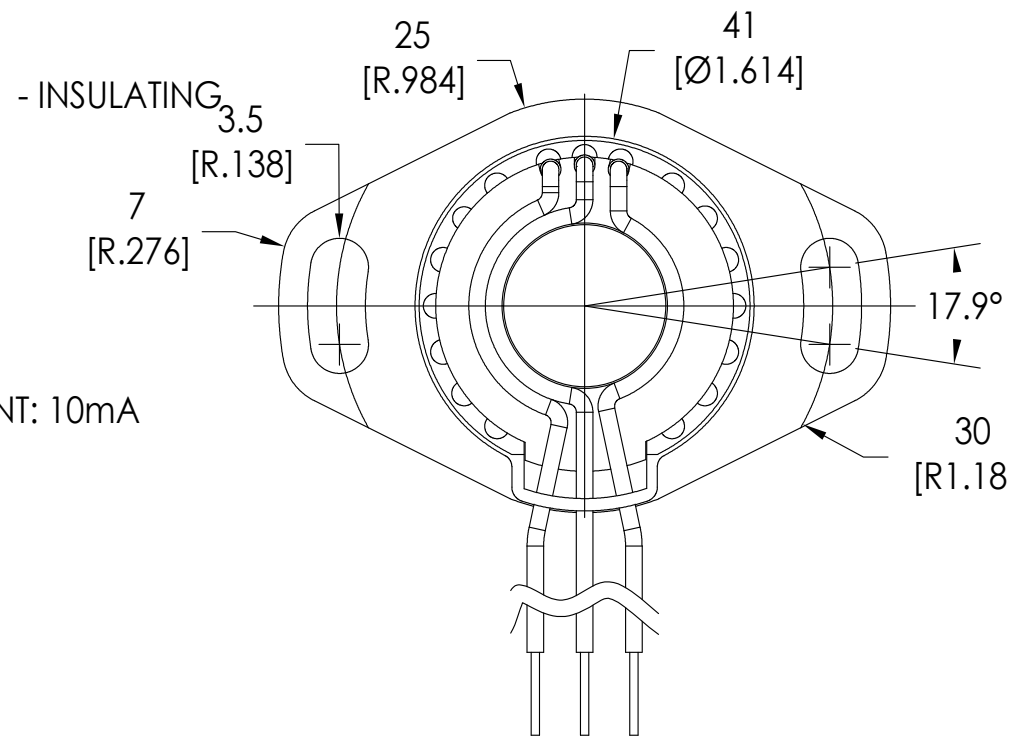
- WORKING VOLTAGE: 5.0 - 16.0vdc
- TOTAL RESISTANCE: 2KΩ ±20%P

RESISTANCE: ≥10MΩ

- ELECTRICAL ANGLE: 180°±2°
- LINEARITY: ±2%
- OUTPUT SMOOTHNESS: <0.5%
- REPEATABILITY: ≤0.1%
- WIPER WORKING CURRENT: ≤1μA
- MAXIMUM WIPER WORKING CURRENT: 10mA

**3. MECHANICAL SPECIFICATIONS**

- TRAVEL: 200°
- LIFE: 5,000,000 CYCLES
- WEIGHT: 77g



WIRE	FUNCTION
RED	VCC/GND
WHITE	APS
YELLOW	GND/VCC

UNITS IN millimeter [inch]

PART #  
5121

