

SPECIFICATIONS

1. ENVIRONMENT SPECIFICATIONS

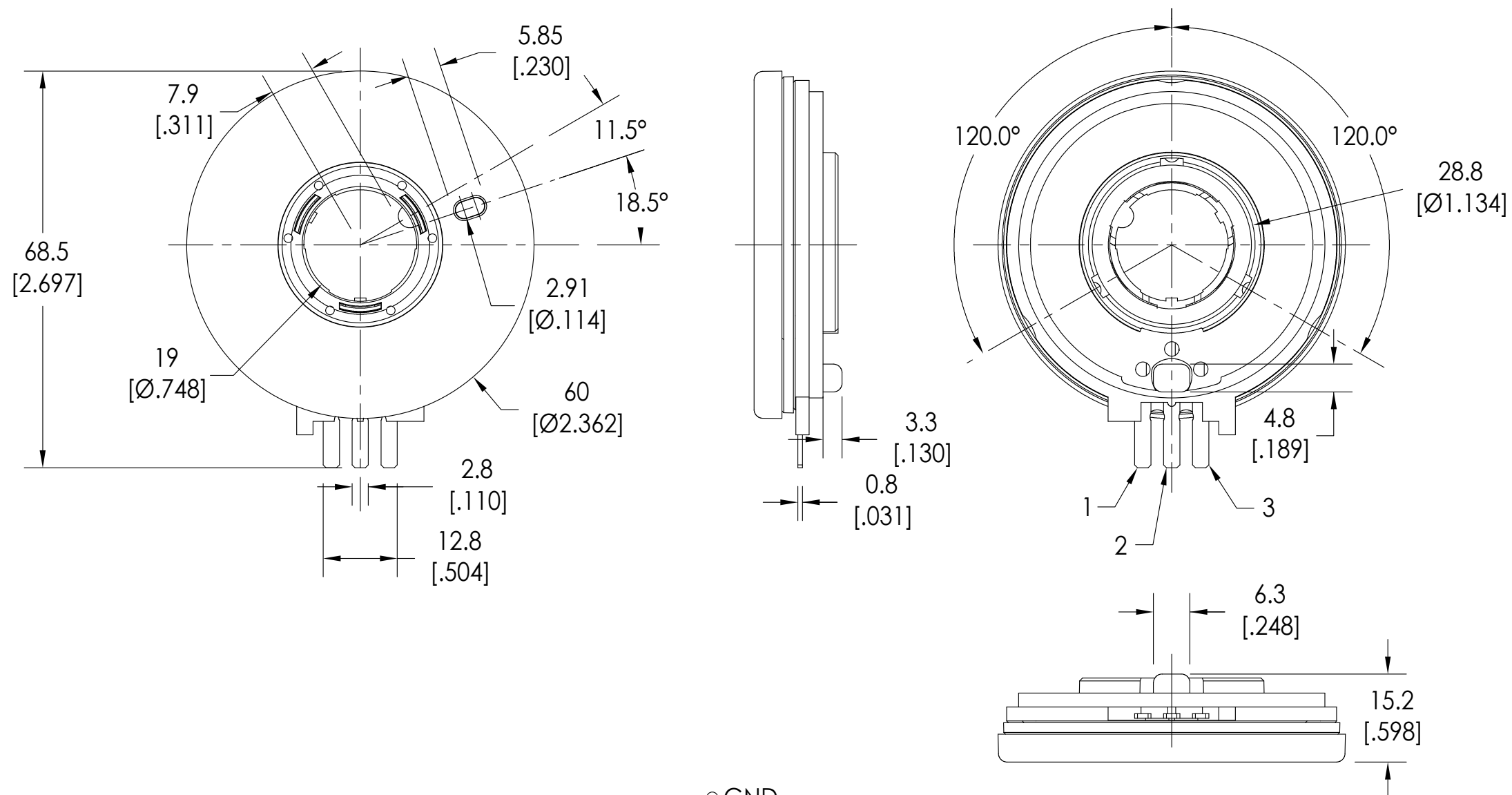
- WORKING TEMPERATURE: -40°C TO 135°C
- PROTECTION CLASS: IP40

2. ELECTRICAL SPECIFICATIONS

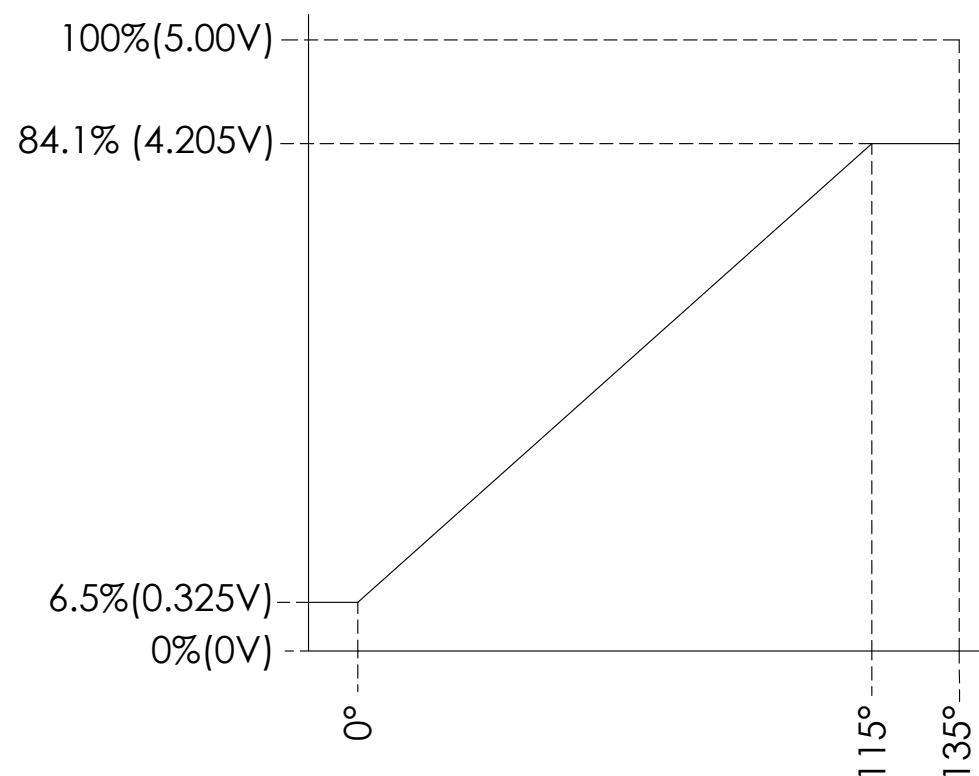
- WORKING VOLTAGE: 5.0 - 16.0vdc
- TOTAL RESISTANCE: 1.2KΩ ±20%
- INSULATING RESISTANCE: ≥10MΩ
- ELECTRICAL ANGLE: 148°±2°
- LINEARITY: ±2%
- OUTPUT SMOOTHNESS: <0.5%
- REPEATABILITY: ≤0.1%
- WIPER WORKING CURRENT: ≤1μA
- MAXIMUM WIPER WORKING CURRENT: 10mA

3. MECHANICAL SPECIFICATIONS

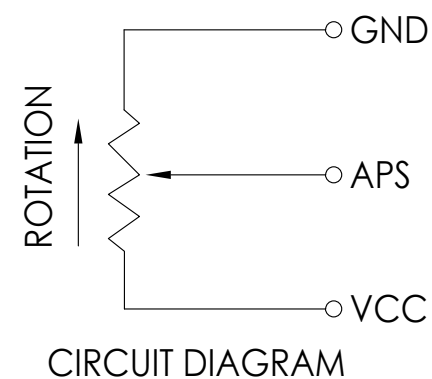
- TRAVEL: 360°
- LIFE: 5,000,000 CYCLES
- WEIGHT: 23.6g±1.5g



VOLTAGE OUTPUT



SENSOR ELECTRICAL OUTPUT



PIN	FUNCTION
1	VCC
2	APS
3	GND

UNITS IN millimeter [inch]

PART #

5122