



IEC ...updating technology while reducing costs

Intellifeed™

Application:

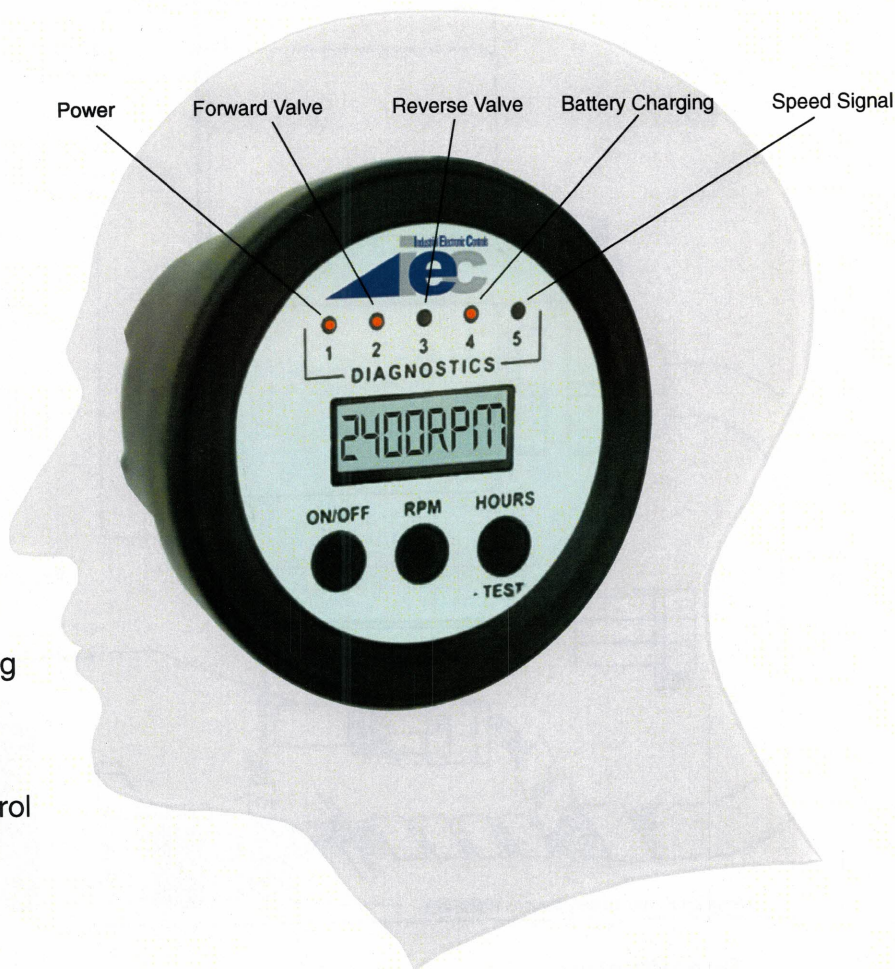
- Wood chippers
- Stump grinders
- Tub grinders
- Trenchers
- Boring equipment

Used for:

- Tachometer for speed measuring
- Hourmeter
- Feedwheel control
- Engine load optimizer
- Pneumatic/Hydraulic valve control
- Electronic valve control

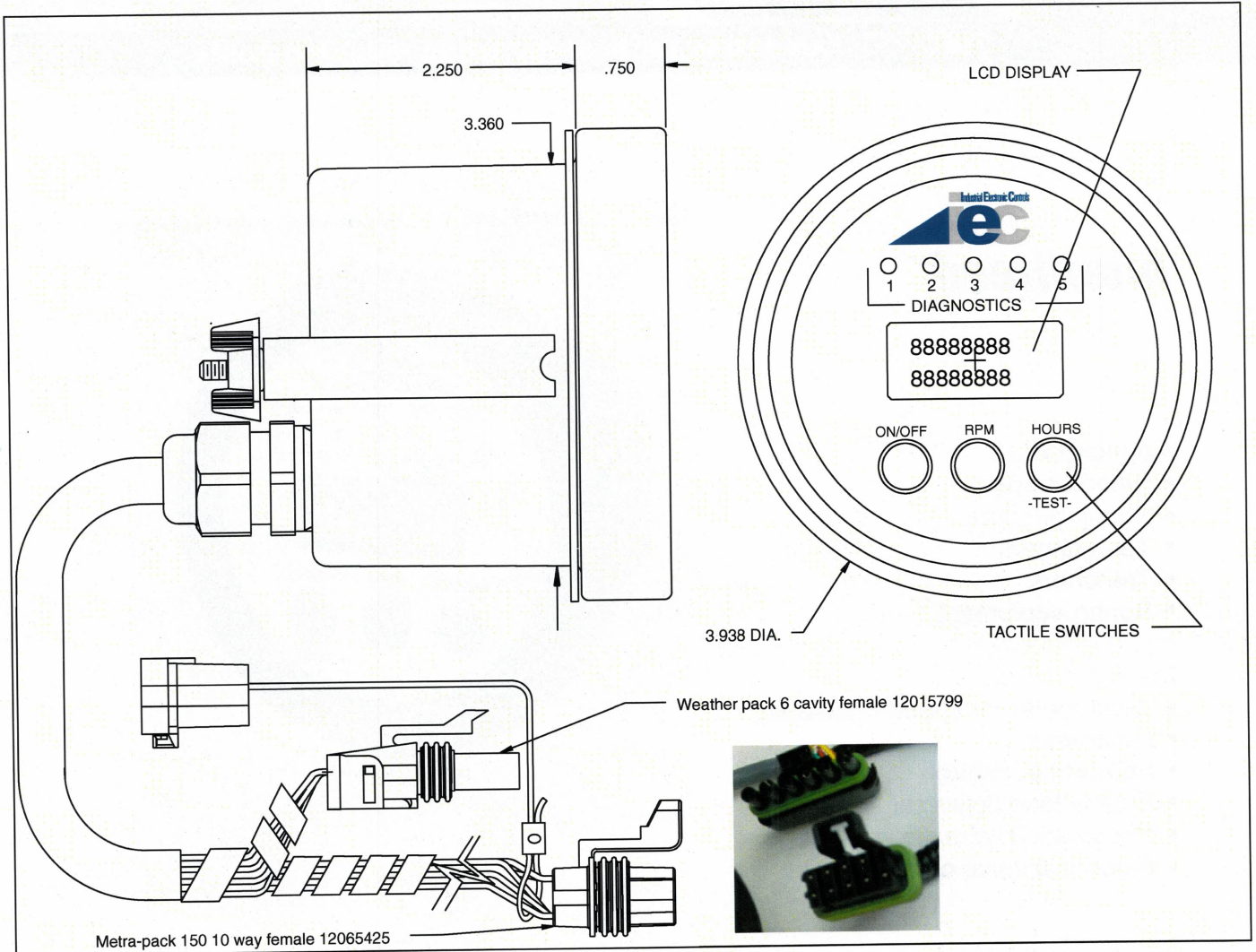
Features & Benefits:

- State-of-the-art microprocessor-based SMT technology – fully programmable from faceplate or on laptop.
- Complete self-help and self-diagnostics available from faceplate.
- Environmentally protected and moisture proof housing with dry nitrogen internal charge – yields extended trouble-free service life in the harshest ambient conditions.
- Industry standard weather sealed connectors – reduces the primary cause of electronic failures from moisture.
- Conformal coated circuit board and vibration isolation – keeps information accurate – no “bounce” of hours and stable RPM readings.
- Vibration dampening design suitable for mobile applications.
- Backlit LCD readout – provides instant status confirmation and ability to scroll customer messages.
- Tactile switches confirm button pushes – no need to guess.
- Customer configurable I/O capacity.
- Additional inputs available to trigger engine warnings
- Fits standard instrument panel openings.
- Customized for specific applications, as required.
- Flexible customer service support available.
- 100% inspected, tested and serialized – guarantees a quality product with a long service life.
- EMC robust design minimizes electrical interference.



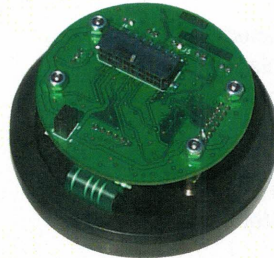
Industrial Electronic Controls, Inc.
 4689 Stenstrom Road, Rockford, IL 61109
 Phone: (815) 873-1980 Fax: (815) 873-1985
 www.indelecon.com

Intellifeed™



Specifications:

- 12 or 24 volt operation
- Weighs 16 ounces
- Fits 3.36" panel openings for flush mounting
- Sealed weather pack connectors
- Injection molded glass filled nylon enclosure
- Extended temperature range LCD (-25°C to +75°C)



**Maximize equipment productivity with increased reliability.
Reduce downtime using Intellifeed™ diagnostics.
Bring your equipment all the way into the 21st century.**

For more information contact:



Industrial Electronic Controls, Inc.
4689 Stenstrom Road, Rockford, IL 61109
Phone: (815) 873-1980 Fax: (815) 873-1985
www.indelecon.com