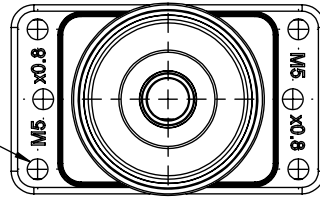


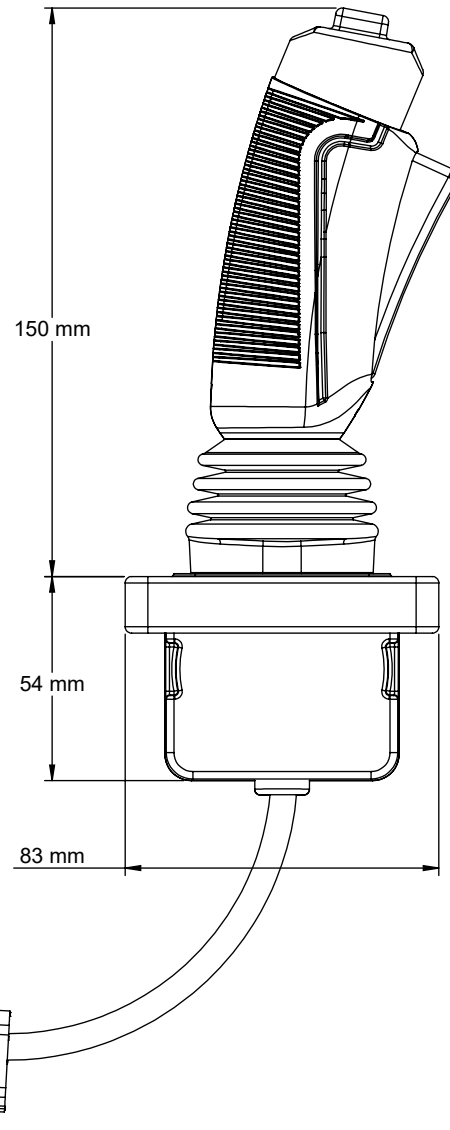
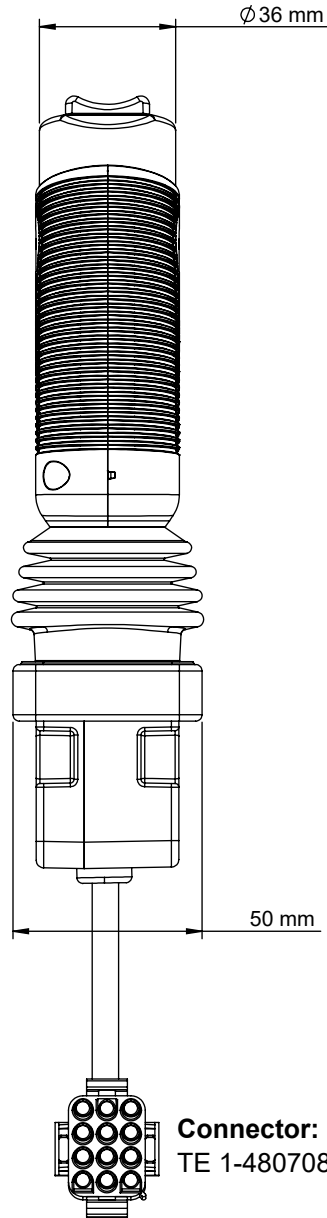
Proportional Joystick	
Supply Voltage	5 VDC
Supply Current	15 mA
Output	Ratiometric 0.5 VDC to 4.5 VDC

M5 x 0.8  
SCREWS REQUIRED  
FOR MOUNTING

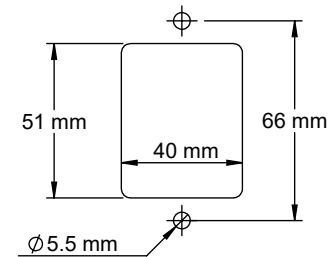


Operators Presence (O.P.), Rocker Left & Right	
Switch Voltage Min/Max	2 VDC / 30 VDC
Switch Current Min/Max	10 mA / 100mA

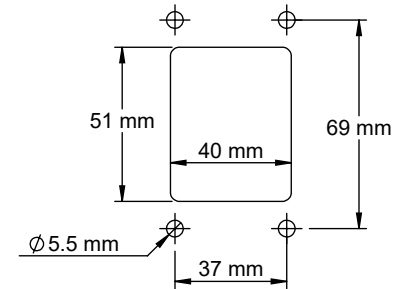
Connector		
Terminal	Wire Color	Function
1	N/A	N/C
2	N/A	N/C
3	Green	Rocker Right Signal
4	Blue	Rocker Left Signal
5	White	O.P. Signal
6	Yellow	Joystick Signal
7	Grey	Rocker Common
8	Brown	O.P. Common
9	Red	Joystick +5V Supply
10	N/A	N/C
11	Black	Joystick GND
12	N/A	N/C



MOUNTING  
OPTION 1



MOUNTING  
OPTION 2



Connector:  
TE 1-480708-0

	NAME	DATE
DRAWN	JJ	10/05/2023
CHECKED		
APPRVD		

**PROPRIETARY AND CONFIDENTIAL**  
THE INFORMATION CONTAINED IN THIS  
DRAWING IS THE SOLE PROPERTY OF  
Sure Grip Controls Inc. ANY  
REPRODUCTION IN PART OR AS A WHOLE  
WITHOUT THE WRITTEN PERMISSION OF  
Sure Grip Controls Inc. IS  
PROHIBITED.



CUSTOMER	
PART NUMBER	PE-00105
DWG. NO.	PE-00105