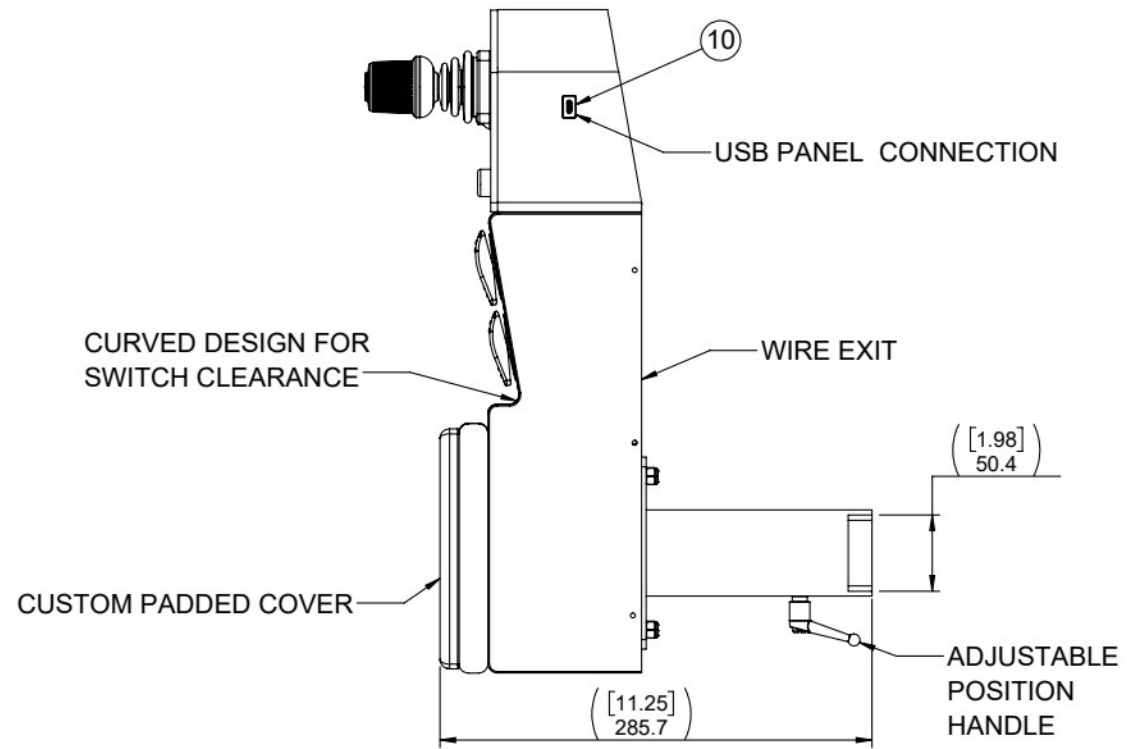
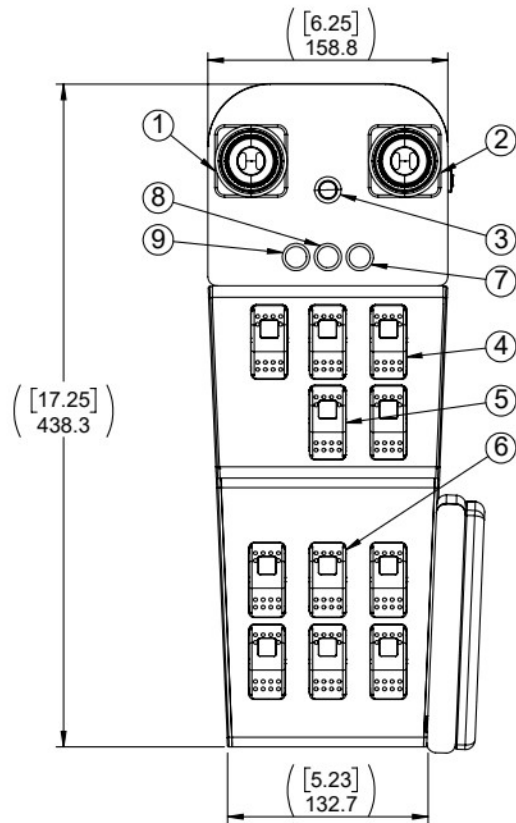


REV.	DESCRIPTION OF LATEST CHANGE	APPROVED	DATE
P2	UPDATED SHAPE		

ITEM	DESCRIPTION	QTY
1	3-AXIS JOYSTICK	1
2	2-AXIS JOYSTICK	1
3	MOMENTARY PUSH BUTTON	1
4	MOM-OFF-MOM 3MO ROCKER 15A	5
5	ON-OFF-ON 3MA ROCKER	2
6	ON-ON / 2MA ROCKER 15A	4
7	PANEL LIGHT GREEN	1
8	PANEL LIGHT YELLOW	1
9	PANEL LIGHT RED	1
10	USB PANEL CONNECTOR	1



- NOTES:  
ENCLOSURE MECHANICAL DETAILS
- MATERIAL: HRPO STEEL
  - FINISH: POWDER COAT BLACK
  - FASTENERS: STEEL WITH BLACK ZINC

<p><b>PROPRIETARY AND CONFIDENTIAL</b></p> <p>THE INFORMATION CONTAINED IN THIS DRAWING IS THE SOLE PROPERTY OF Sure Grip Controls Inc. ANY REPRODUCTION IN PART OR AS A WHOLE WITHOUT THE WRITTEN PERMISSION OF Sure Grip Controls Inc. IS PROHIBITED.</p>	<p>MATERIAL</p> <p>SEE NOTES</p>	<p>FINISH</p> <p>SEE NOTES</p>	<p><b>SURE GRIP</b>™ CONTROLS INC.</p> <p>DESCRIPTION ARM REST</p>	
	<p>TOLERANCES: (unless noted)</p> <p>0.00 mm: +/- 0.05 mm 0.0 mm: +/- 0.1 mm 0 mm: +/- 0.3 mm 0°: +/- 0.5° 0.0°: +/- 0.1°</p>	<p>DRAWN BY</p> <p>William.Hoyle</p>		